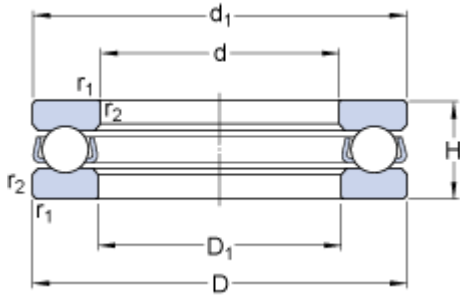


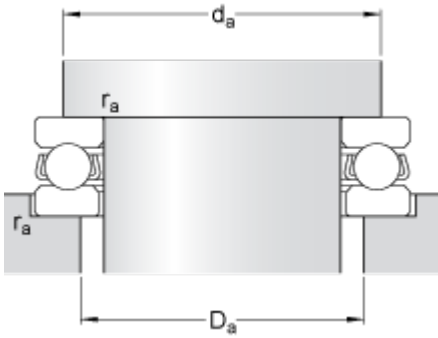
51234 M

Dimensions



d		170	mm
D		240	mm
H		55	mm
d_1	≈	237	mm
D_1	≈	173	mm
$r_{1,2}$	min.	1.5	mm

Abutment dimensions



d_a	min.	212	mm
D_a	max.	198	mm
r_a	max.	1.5	mm

Calculation data

Basic dynamic load rating	C	270	kN
Basic static load rating	C_0	930	kN
Fatigue load limit	P_u	24	kN
Reference speed		1200	r/min
Limiting speed		1700	r/min
Minimum load factor	A	5.4	

Mass

Mass bearing (including seat washer when applicable)		8.15	kg
--	--	------	----